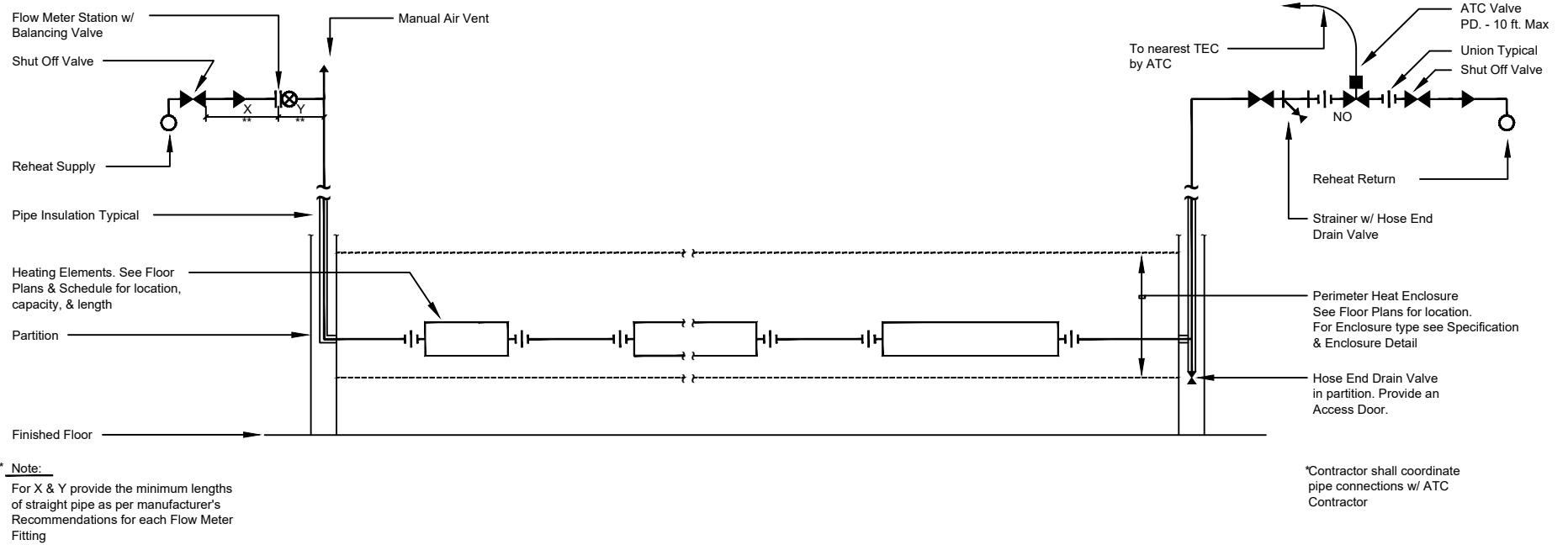


**\*\* Note:**  
 For X & Y provide the minimum lengths of straight pipe as per manufacturer's Recommendations for each Flow Meter Fitting

\*Contractor shall coordinate pipe connections w/ ATC Contractor

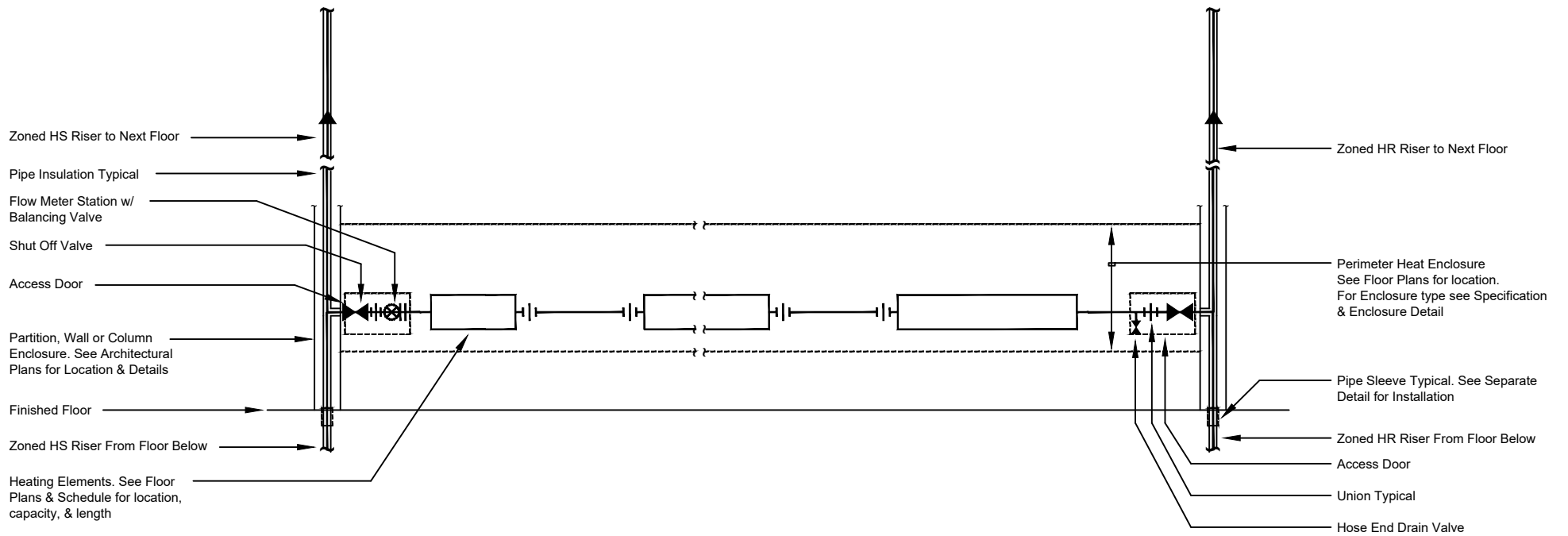
## Perimeter Heat Detail - Zoned Perimeter Heat System Connections

No Scale



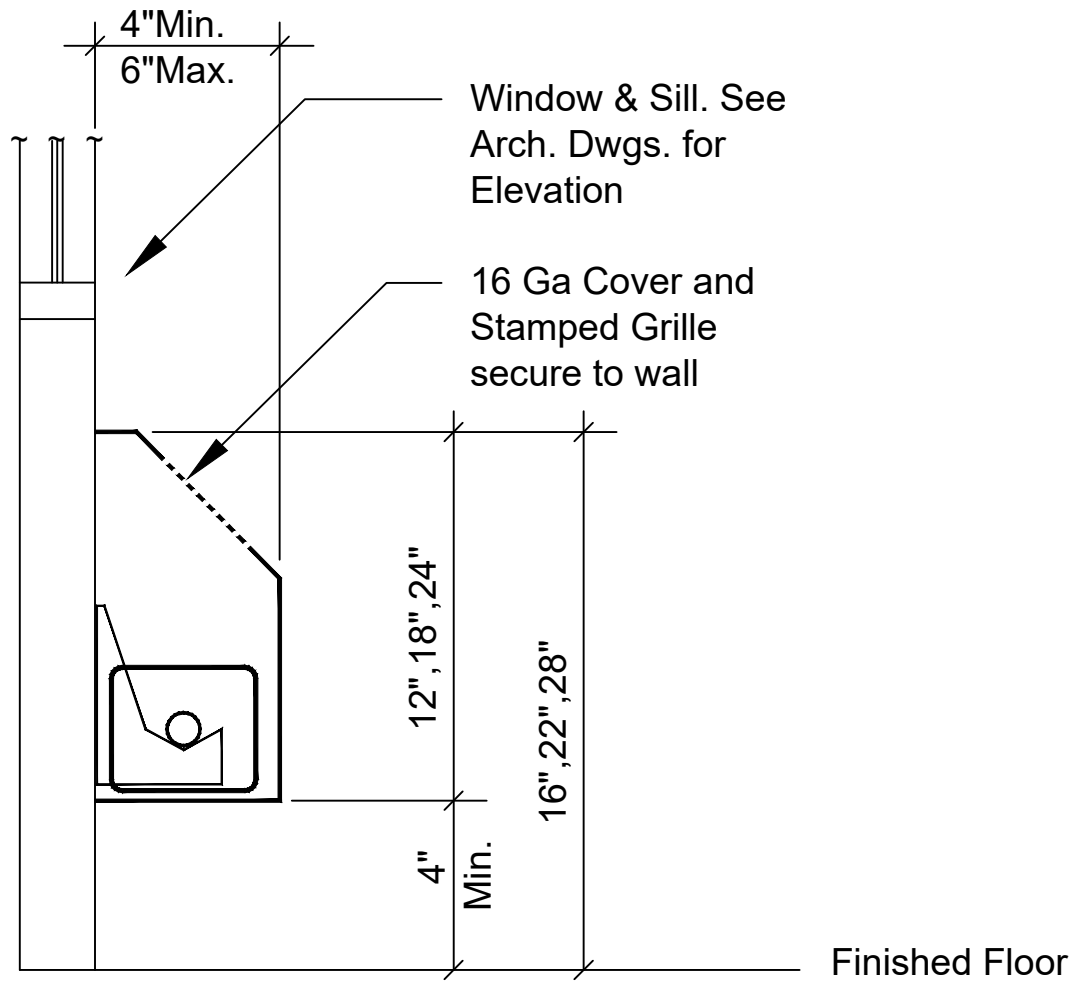
## Perimeter Heat Detail - Reheat System Connections

No Scale

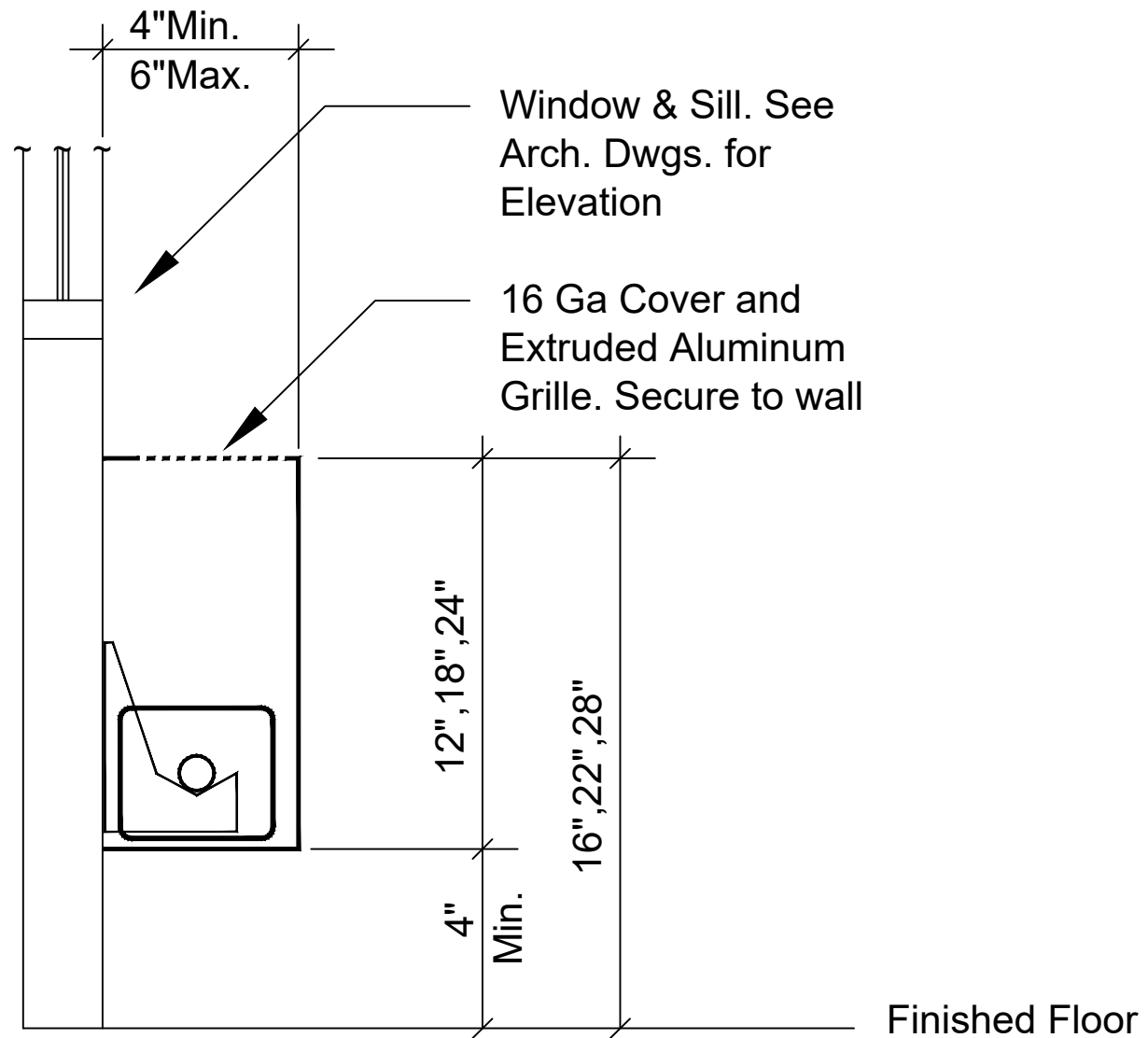


## Perimeter Heat Piping Detail - Zoned Riser System

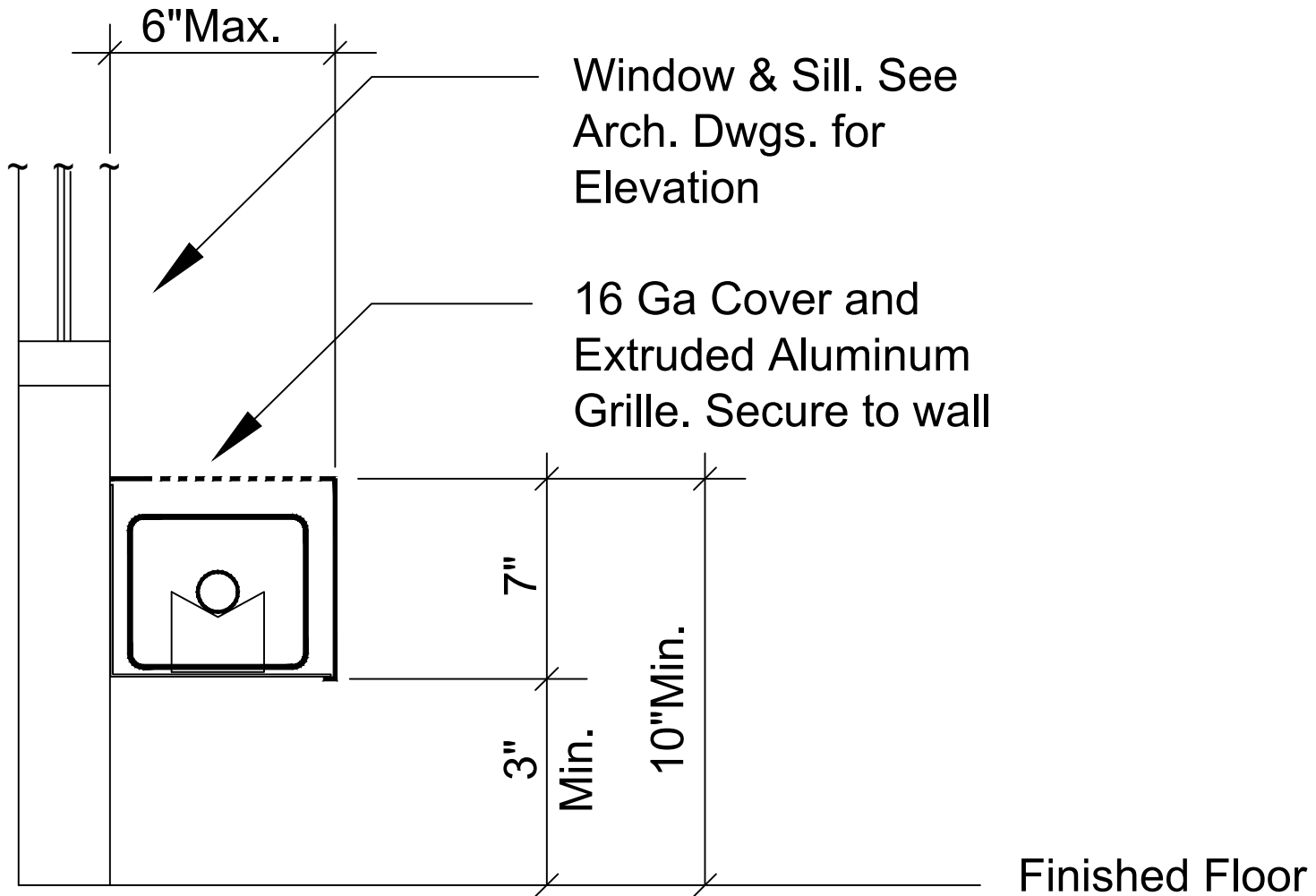
No Scale



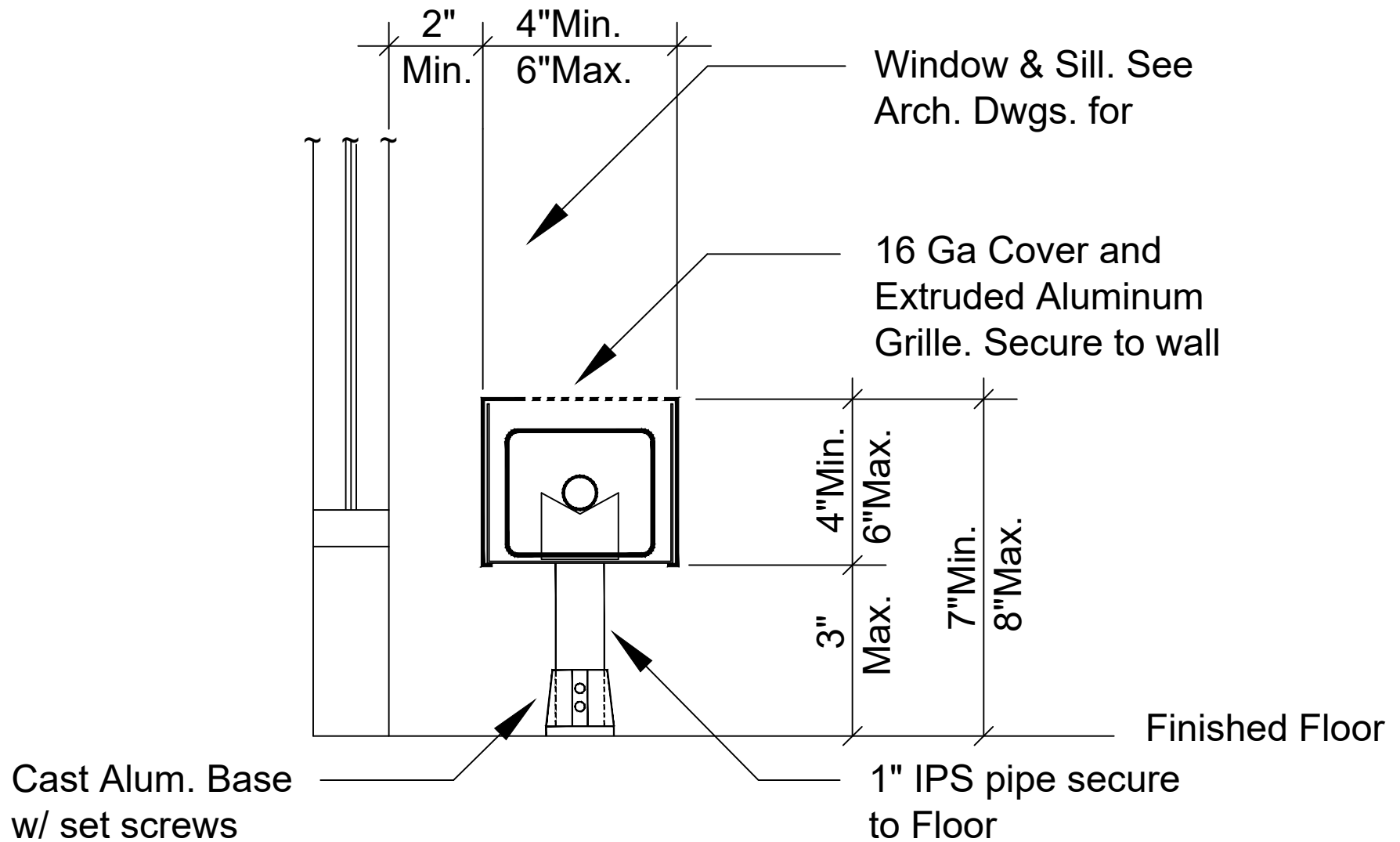
Type 'A' - Sloping Top



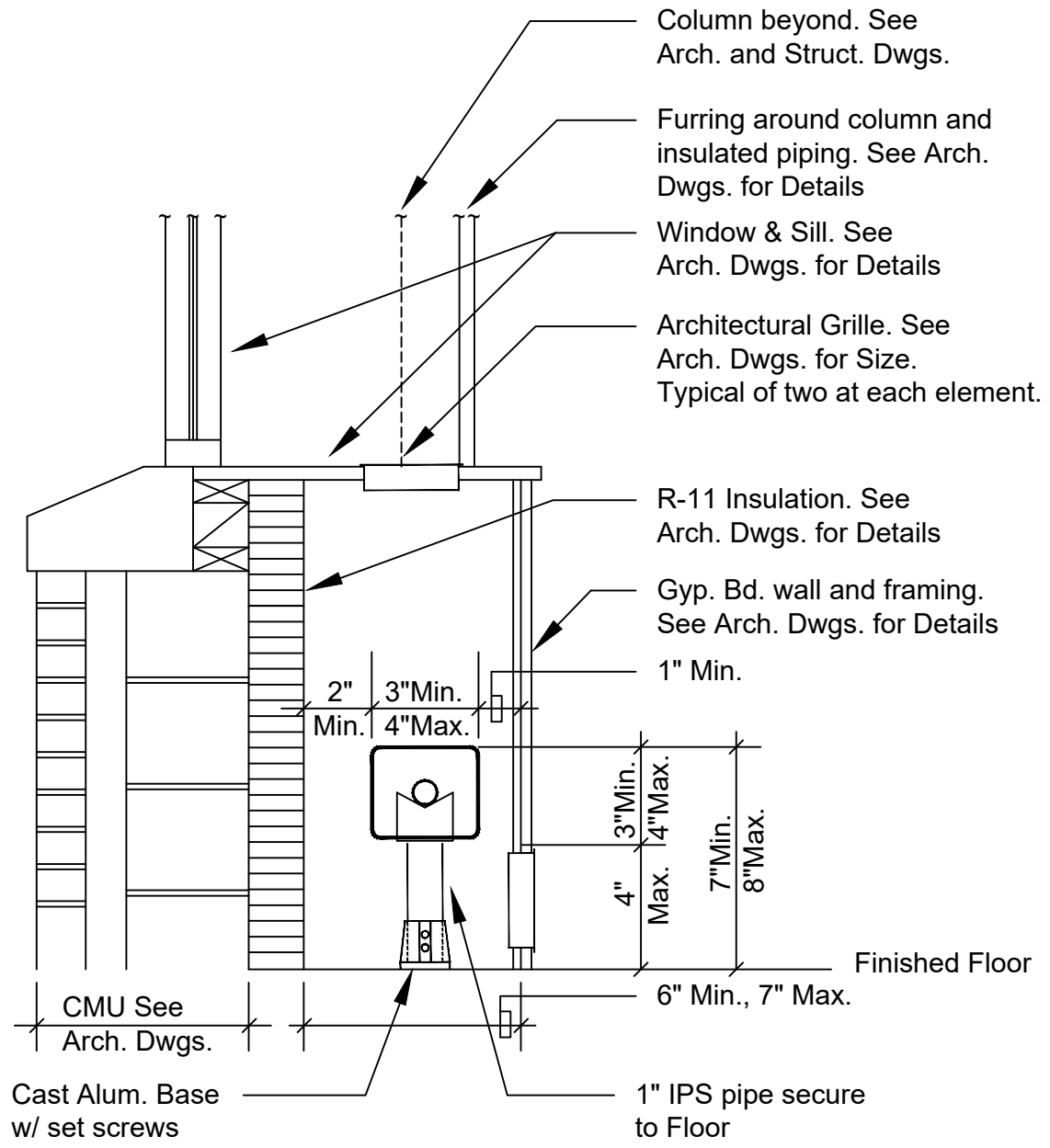
## Type 'B' - Horizontal Top



## Type 'C' - Compact Cover



## Type 'D' - Pedestal



Type 'E' - Concealed